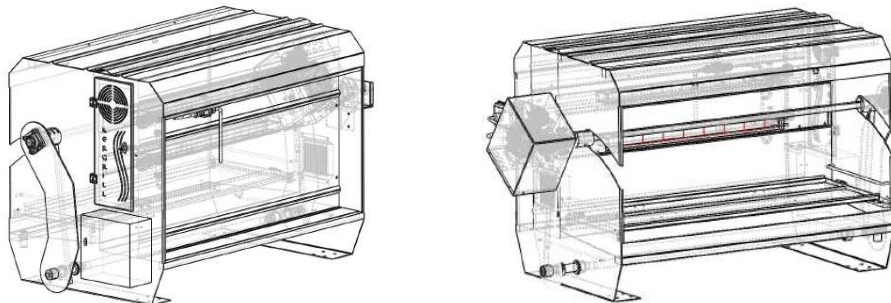


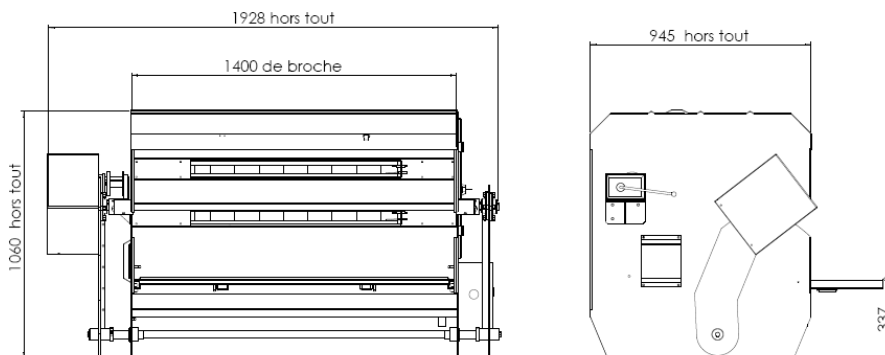
K1400 T



I- Presentation



II- Dimension



III- Characteristics

Technical characteristics

Weight 340 Kg

Size of the cooking space (WxHxD) = 1.4 m x 0.8 m x 0.55m

Spit motor

Power 0.12Kw
Rotation speed 1.3tr/pm
Voltage 230v, 50Hz

2 Cooking radiants

Power 5.8 kW
Size 960 x 47

Electric box

1 Emergency stop button
- 2 position switch (on/off)
- Pushbutton (Power sequential)
- Fan temperature control

Capacity 160 m3/h
Voltage 230V 50Hz

Energy : Propane Gas (Other : Please consult us)

Manufacturing : 304L stainless steel for food products

Manipulation feature

Winch

Towing capacity of 500Kg
Security triggered at 25Kg
High-resistance stainless steel cable

Cutting table

Holding tank with drainage system

Safety features

Door with key lock

Safety valve CPMM18700 SV CE certified
With automatic disconnection of gas after flame detection

**Model range KERGRILL
CE1312 Certified (gas cooking appliance)**