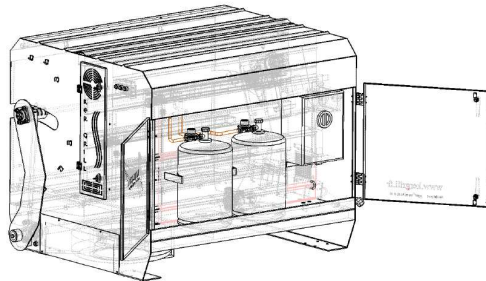
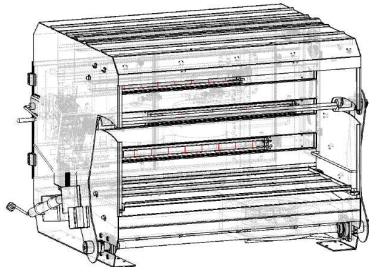


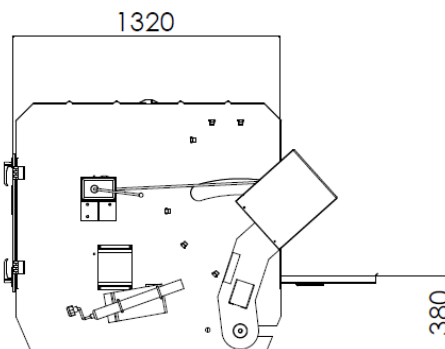
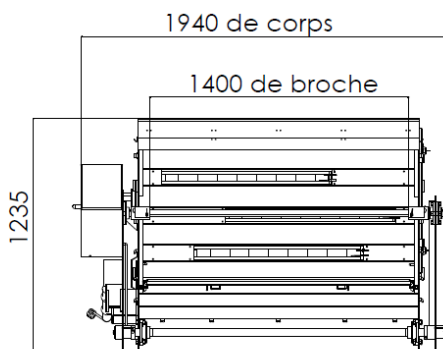
Réception K1400 R



I- Presentation



II- Dimension



III- Characteristics

Technical characteristics

Weight 540 Kg

Size of the cooking space (WxHxD) = 1.5m x 0.95m x 0.7m

Spit motor

Power 0.25Kw
Rotation speed 1.8 tr/pm of 0.5 tr/pm
Voltage 230v, 50Hz

3 Cooking radiants

Power 5.8 kW
Size 960 x 47

Electric box

1 remote control with :
- Emergency stop button
- 2 position switch (on/off)
- Pushbutton (Power sequential)
- Potentiometer for speed control
1 Fan temperature control
Capacity 160 m3/h
Voltage 230V 50Hz

Location for the gas at the rear

Energy : Propane Gas (Other : Please consult us)

Manufacturing : 304L stainless steel for food products

Caractéristique de manipulation

Winch

Towing capacity of 500Kg
Security triggerred at 25Kg
High-resistance stainless steel cable

Setting screw

Not of 16mm
Thrust force 140Kg

Cutting table

Holding tank with drainage system

Safety features

Door with key lock

Safety valve CPMM18700 SV CE certified
With automatic disconnection of gas after flame detection

**Model range KERGRILL
CE1312 Certified (gas cooking appliance)**