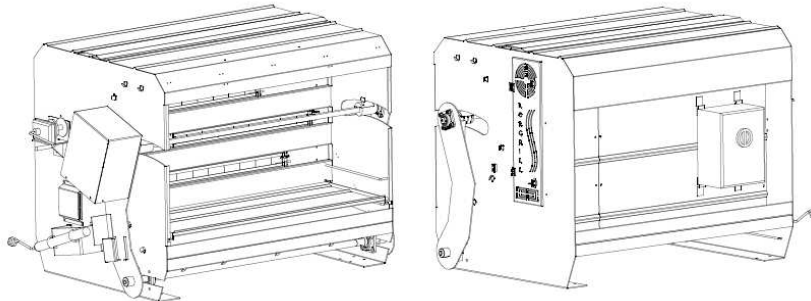


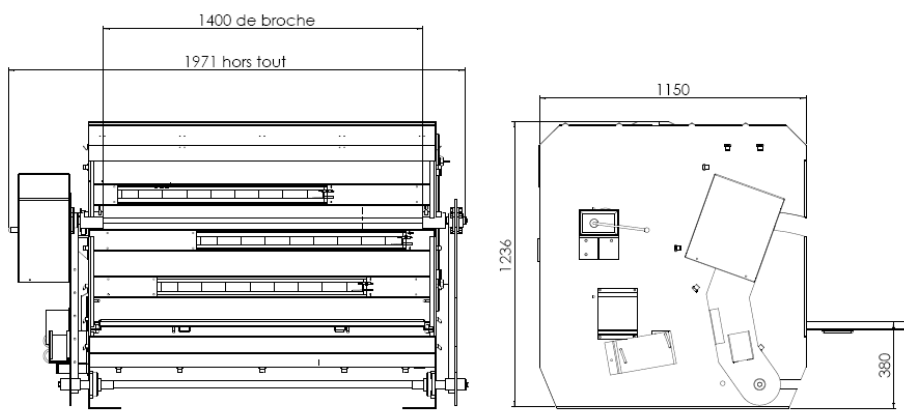
K1400



## I- Presentation



## II- Dimension



## III- Characteristics

Caractéristique technique

Weight 480 Kg

Size of the cooking space (WxHxD) = 1.5m x 0.95m x 0.7m

## Spit motor

Power 0.25Kw  
 Rotation speed 1.8 tr/pm of 0.5 tr/pm  
 Voltage 230v, 50Hz

## 3 Cooking radiants

Power 5.8 kW  
 Size 960 x 47

## Electric box

- 1 remote control with :
- Emergency stop button
  - 2 position switch (on/off)
  - Pushbutton (Power sequential)
  - Potentiometer for speed control

1 Fan temperature control

Capacity 160 m3/h  
 Voltage 230V 50Hz

Energy : Propane Gas (Other : Please consult us)

Manufacturing : 304L stainless steel for food products

Caractéristique de manipulation

## Winch

Towing capacity of 500Kg  
 Security triggered at 25Kg  
 High-resistance stainless steel cable

## Setting screw

Not of 16mm  
 Thrust force 140Kg

## Cutting table

Holding tank with drainage system

Safety features

Door with key lock

Safety valve CPMM18700 SV CE certified  
 With automatic disconnection of gas after flame detection

**Model range KERGRILL**  
**CE1312 Certified (gas cooking appliance)**